



PLPROFILE4 LED Luminaire



## PLPROFILE4 LED Luminaire

The PLPROFILE4 luminaire is a LED, variable-beam profile with precise beam control and pattern projection from a high output beam. An innovative combination of LED source technology and precision optical design, the PLPROFILE4 luminaire delivers Philips Selecon's industry benchmark projection quality in a compact, robust luminaire.

The PLPROFILE4 luminaire uses the same proven LED engine as the Philips Selecon PL3, PL1, PL Series 1 luminaire range, and the Philips VARI\*LITE VLX wash luminaire ranges, meaning color matching is simplified across the stage. The user interface is the same ensuring ease of use.


A key benefit of the PLPROFILE4 luminaire is that it is no longer necessary to change lamps or color filter. Combining the superior control and light quality of a Philips Selecon Profile with seamless fading between colors allows designers a new level of creativity. Less power consumption and no dimmer circuits makes the PLPROFILE4 luminaire the obvious choice for pattern projection and stage washes on the larger stage.

### Features

- Four RGBW LED chips deliver limitless color mixing and variable color temperature.
- Seven optical systems: 15°-35° and 25°-50° Zoomspots; 14°, 19°, 26°, 36° and 50° Fixed Beams.
- All lens tubes interchangeable and can be ordered separately. 360° barrel rotation.
- Infinite color choice from the RGBW engines and supporting color temperatures from 2300K to 9970K in white
- Homogenized fully mixed color output light, no multiple color shadows
- Ten's of thousands of hours of life expectancy
- Quick selection of Warm White, Cool White, and Daylight
- Color presets simplifies matching existing light sources
- User defined on board presets states available to record your color composition
- Constant color balance down to very low light levels irrespective of intensity setting
- DMX512 Input/Output with 8 or 16-bit resolution or a simple 3-channel control
- Wireless DMX512 option - compatible with Wireless Solution W-DMX, Lumen Radio, or City Theatrical Show DMX512 transmitters
- On-board LCD menu for ease of luminaire set up and addressing
- No ultra-violet (wavelengths of less than 400nm) – for UVA, B or C or the Infrared spectrum (wavelengths of more than 775nm)
- Luminaire color: black
- Electronic universal power supply 100-240VAC
- PowerCon In and Through connectors
- Electronic power supply; cETLus listed and CE marked

**PHILIPS**  
**Selecon**

### SPECIFICATION SUBMITTAL

CONSULTANT: <input type="text"/>	PROJECT NAME: <input type="text"/>	MODEL NUMBER   QUANTITY: <input type="text"/>   <input type="text"/>   <input type="text"/>   <input type="text"/>	 <b>PARLIGHTS, INC.</b> Theatrical Lighting & Rigging <small>One Womans Mill Court, # 7          Frederick, MD 21701          www.parlights.com</small> <small>301.498.9242          fax 301.846.0369          sales@parlights.com</small>
DATE: <input type="text"/>	PROJECT NUMBER: <input type="text"/>	APPROVED BY: <input type="text"/>	



## PLPROFILE4 LED Luminaire

### Advanced Control

The PLPROFILE4 LED luminaire has an on-board LCD menu system for luminaire setup, control, and addressing. The menu system is extremely user-friendly and offers all configuration options with a few button presses.

### Wireless DMX512 Control

Having trouble getting data to your light on set? All PLPROFILE4 luminaires support wireless DMX512 control for instant connections without running control wiring. Each wireless receiver also has a DMX512 out port to control adjacent luminaires. Receivers are available for Wireless Solution W-DMX, Lumen Radio, or City Theatrical DMX512 transmitters.

### Console Control

All PLPROFILE4 luminaires support wired and wireless DMX512 control with a choice of 8 or 16 bit control resolution or simple 3-channel control. With the increased development of LED luminaires like PL1 and PL3 with 4 or more colors additional control is needed for intuitive operation. All Strand Lighting Palette family controls support extended color control and color temperature control to simplify programming and luminaire color matching.

### PLPROFILE4 Luminaire LED Engine

The PLPROFILE4 luminaire's powerful LED engines offer exceptional performance and life. Under normal operating conditions our LED engine has a potential life expectancy of up to 50,000 hours, however under worst case operating conditions with the luminaire set to continuous full output it is possible that a small percentage of LEDs may require replacement sooner. The Philips Selecon three-year limited warranty includes our guarantee against premature failure of the LED engine.

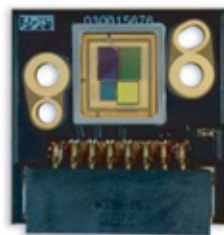


### PLPROFILE4 Luminaire Advanced Control

- 1 LCD Menu Display
- 2 Local controls offer the ability to access preset color temperatures; locally stored custom presets adjust intensity, colors and motorized focus.



Strand Lighting Light Palette VL



PLPROFILE4 Luminaire LED Engine

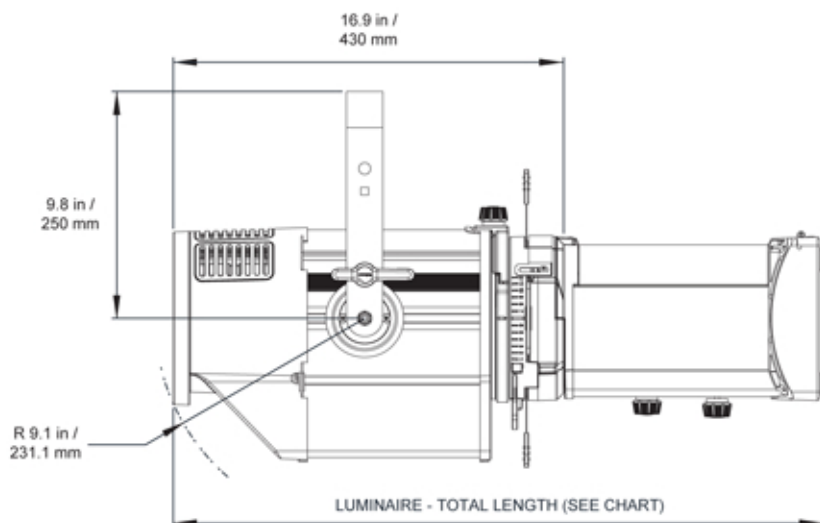


Luminaire Dimensional Chart

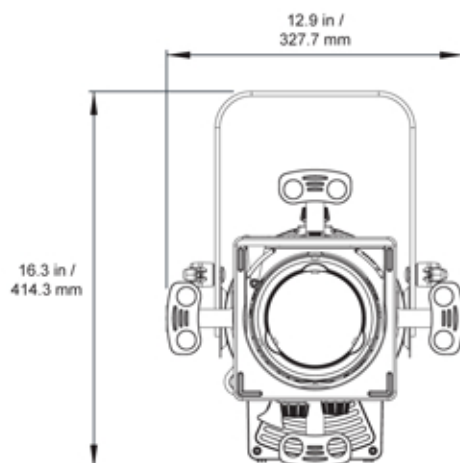
	Angle (°)	Lens Tube Length		Luminaire Total Length	
		Metric (mm)	Imperial (in)	Metric (mm)	Imperial (in)
Fixed	14	400	15.7	835	32.9
	19	310	12.2	745	29.3
	26	270	10.6	705	27.7
	36	250	9.8	685	27.0
Zoom	50	200	7.9	635	25.0
	15-35	370	14.6	805	31.7
	25-50	280	11.0	715	28.1

Dimensions

Side View



Front View



Technical Specifications

Electrical Specifications

- Source: 4 Each, True RGBW 120W LED chip
- Operating Voltages: 100 to 240 Volts AC (auto-ranging)
- Frequency: 50/60 Hz
- Current Draw: 6.0 Amps (100V) / 2.5 Amps (240V) - Maximum load with all LEDs at full RGBW
- Maximum Thru (AC): 20 Amps at thru connector
- Ambient Temperature: 0° to 40°C (32° to 104°F)
- Control: On-Board Menu / DMX512A
- DMX512 Channels: 15 Channels (16-Bit Mode)  
9 Channels (8-Bit Mode)  
3 Channels (3-Channel Mode)
- Standards Compliance: cETLus Listed and CE Marked

Mechanical Specifications

- Construction: Machined aluminum, sheet metal, and molded engineering grade plastic components
- Color: Black
- Weight: 25.2 lbs / 11.5 kg (luminaire engine/shutter/yoke assemblies only)

Optical Specifications

- Output: > 6,000 lumens (white light)



One Wormans Mill Court, # 7  
Frederick, MD 21701  
www.parlights.com

301.698.9242  
fax 301.844.0369  
sales@parlights.com



Selecon



## Ordering Information

## Cat No. Description

## PLPROFILE4 LED luminaires

PLPF4-03	PLPROFILE4 LED Luminaire LED Engine Only, Black, with C-Clamp, Top Box, Top Box Bolt, Safety Cable and PowerCon AC Input Connector
PLPF4-03-14	PLPROFILE4 LED Luminaire LED Engine, Black, with Axial Ellipsoidal 14° Fixed Beam Lens (SPX14LT), C-Clamp, Top Box, Top Box Bolt, Safety Cable and AC Input Cable (PC1XX*)
PLPF4-03-19	PLPROFILE4 LED Luminaire LED Engine, Black, with Axial Ellipsoidal 19° Fixed Beam Lens (SPX19LT), C-Clamp, Top Box, Top Box Bolt, Safety Cable and AC Input Cable (PC1XX*)
PLPF4-03-26	PLPROFILE4 LED Luminaire LED Engine, Black, with Axial Ellipsoidal 26° Fixed Beam Lens (SPX26LT), C-Clamp, Top Box, Top Box Bolt, Safety Cable and AC Input Cable (PC1XX*)
PLPF4-03-36	PLPROFILE4 LED Luminaire LED Engine, Black, with Axial Ellipsoidal 36° Fixed Beam Lens (SPX36LT), C-Clamp, Top Box, Top Box Bolt, Safety Cable and AC Input Cable (PC1XX*)
PLPF4-03-50	PLPROFILE4 LED Luminaire LED Engine, Black, with Axial Ellipsoidal 50° Fixed Beam Lens (SPX50LT), C-Clamp, Top Box, Top Box Bolt, Safety Cable and AC Input Cable (PC1XX*)
PLPF4-03-1535	PLPROFILE4 LED Luminaire LED Engine, Black, with Axial Ellipsoidal 15° to 35° Zoomspot Lens (SPX1535LT), C-Clamp, Top Box, Top Box Bolt, Safety Cable and AC Input Cable (PC1XX*)
PLPF4-03-2550	PLPROFILE4 LED Luminaire LED Engine, Black, with Axial Ellipsoidal 25° to 50° Zoomspot Lens (SPX1535LT), C-Clamp, Top Box, Top Box Bolt, Safety Cable and AC Input Cable (PC1XX*)

\*Specify AC input connector at time of ordering (GR - Edison / GP - Grounded Stagepin / GTL - Twistlock).

## Accessories - Clamps

SC	Selecon Molded Yoke Rated C-Clamp
MC	Mega Claw, Black Anodized

## Accessories - Luminaire Software Uploader Cable

PLUPLD	USB Luminaire Software Programming Kit (for updating or reloading luminaire software only) - includes USB to DMX Dongle, Uploader Program, and Carry Bag
--------	--

## Accessories - Lens / Projection

20IRIS	20-Leaf SPX Iris
SPXGHB	SPX Gobo Holder, Size B, for Metal Gobos
SPXGHB	SPX Gobo Holder, Size B, for Glass Gobos
19PACCF	SPX Color Frame, Spare
19PACSMFB	SPX Lens Safety, Mesh
19SPXCF	SPX Replacement Color Frame, 6-1/4" Square, Black
SPX14LT	SPX Axial Ellipsoidal 14° Fixed Beam Lens Tube Only
SPX19LT	SPX Axial Ellipsoidal 19° Fixed Beam Lens Tube Only
SPX26LT	SPX Axial Ellipsoidal 26° Fixed Beam Lens Tube Only
SPX36LT	SPX Axial Ellipsoidal 36° Fixed Beam Lens Tube Only
SPX50LT	SPX Axial Ellipsoidal 50° Fixed Beam Lens Tube Only
SPX1535LT	SPX Axial Ellipsoidal 15° to 35° Zoomspot Lens Tube Only
SPX2550LT	SPX Axial Ellipsoidal 25° to 50° Zoomspot Lens Tube Only

## Accessories - AC Power Input Cables

PC1BE	PL Series Luminaire AC Power Input Cable (39 inches / 1 meter), Powercon without AC connector (bare end)
PC1GP	PL Series Luminaire AC Power Input Cable (39 inches / 1 meter), Powercon with Stagepin Connector
PC1GTL	PL Series Luminaire AC Power Input Cable (39 inches / 1 meter), Powercon with Twistlock Connector
PC1GR	PL Series Luminaire AC Power Input Cable (39 inches / 1 meter), Powercon with Edison Connector

## Accessories - AC Interconnect Cables

PC3PC	PL Series Luminaire PowerCon Male to PowerCon Female 2.5 Meter Cable for interconnection between units
-------	--

## Accessories - Wireless DMX512 Receivers

PL1WDMX03	W-DMX Wireless DMX512 Receiver (Wireless Solutions) Black
PL1LDMX03	Lumen Radio Wireless DMX512 Receiver Black
PL1SDMX03	City Theatrical Wireless DMX512 Receiver Black

## Accessories - Wireless DMX512 Transmitters

PL1WDMXTR	W-DMX Wireless DMX512 Transmitter
PL1LDMXTR	Lumen Radio Wireless DMX512 Transmitter
PL1SDMXTR	City Theatrical Wireless DMX512 Base Transmitter

## Selecon Lighting

**Dallas**  
10911 Petal Street  
Dallas, Texas 75238  
Tel: +1 (214) 647-7880  
Fax: +1 (214) 647-8031

**New York**  
267 5th Ave, 4th Floor  
New York, NY 10016  
Tel: +1 (212) 213-8219  
Fax: +1 (212) 532-2593

**Auckland**  
19-21 Kawana Street  
Northcote, Auckland 0627  
New Zealand  
Tel: +64 9 481 0100  
Fax: +64 9 481 0101

**Asia**  
Unit C, 14/F,  
Roxy Industrial Centre  
No. 41-49 Kwai Cheong Road  
Kwai Chung, N.T. Hong Kong  
Tel: +852 2796 9786  
Fax: +852 2798 6545

**Europe**  
Europe Service & Distribution Centre  
Rondweg zuid 85  
Winterswijk 7102 JD  
the Netherlands  
Tel: +31 (0) 543-542516

© Philips Group 2013  
All rights reserved.  
The Company reserves the right to make any variation in design or construction to the equipment described. E&OE

**PARLIGHTS, INC.**  
Theatrical Lighting & Rigging  
One Warners Mill Court, # 7  
Frederick, MD 21701  
www.parlights.com  
301.698.9242  
fax 301.846.0369  
sales@parlights.com

**PHILIPS**  
**Selecon**